

PORTABLE DC CHARGING PILE

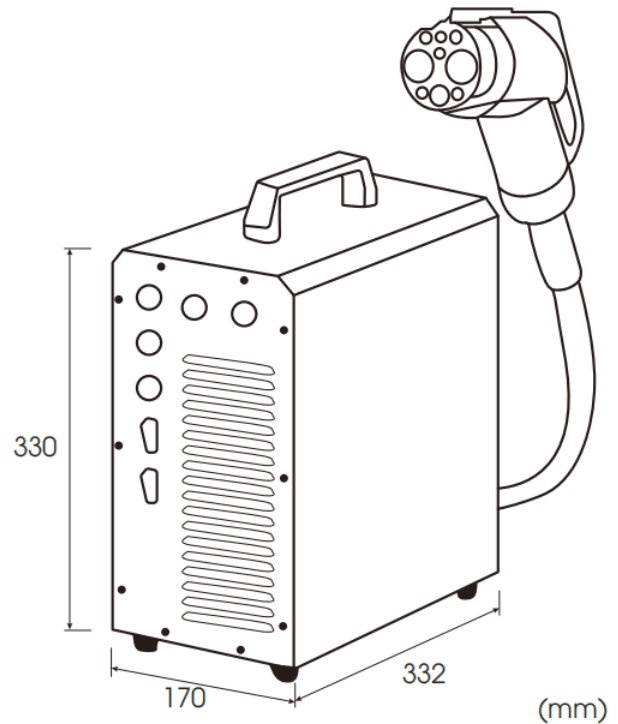
直流充电桩(便捷式)

KX-P 7K-750

INTRODUCE 简介

The portable DC charging pile is more portable and flexible, and is compatible with a variety of charging interfaces. Users can put it in the car or the trunk of the car to charge the electric vehicle through the on-board battery or external power supply. The installation and disassembly of the portable DC charging pile is relatively simple and fast, which can provide the convenience of nearby charging for car owners.

便捷式直流充电桩更加轻便、灵活,同时可兼容多种充电接口,用户可以将其放入车内或车后备箱中,通过车载电池或外部电源对电动汽车进行充电。便捷式直流充电桩的安装与拆卸相对简单快捷,可以为车主提供就近充电的方便。



FEATURES & BENEFITS 功能和优点

- ◆ **A Novel High Efficiency Three-Phase PFC Circuit Topology**

新型高效三相PFC电路拓扑结构

- ◆ **Power factor greater than 0.99, Harmonic distortion rate $\leq 5\%$**

功率因数大于0.99, 谐波畸变率 $\leq 5\%$

- ◆ **High-frequency switching power supply module with high execution efficiency**

高频开关电源模块, 执行效率高

- ◆ **One-click auto-fill, simple and practical**

一键自动填充, 简单实用

- ◆ **Digital current sharing technology, effectively improving current sharing accuracy and anti-interference**

数字均流技术, 有效提高均流精度和抗干扰性

- ◆ **Protection functions such as input overvoltage and undervoltage, output overcurrent, short circuit, leakage, emergency stop, etc.**

输入过欠压、输出过流、短路、漏电、紧急停止等保护功能

- ◆ **Module hot-swappable technology, more convenient maintenance;**

模块热插拔技术, 维护更方便

APPLICATION SCENARIO 应用场景

◆ Portable DC charging pile for private use

私人用便携式直流充电桩

◆ Private cars, logistics vehicles, trucks, etc.

私家车、物流车、货车等

◆ Operating company car rental

运营公司随车租赁

◆ Rapid Deployment with Space Constraints

场地受限的快速部署

SPECIFICATIONS 规格

MODEL:KX-P 7K-750

Input voltage 输入电压	220Vac+15% (single-phase three-wire system) (单相三线制)
Input frequency 输入频率	45 ~ 65 Hz
Power factor 功率因数	> 0.99
Rated output power 额定输出功率	< 6.6kw
Output voltage range 输出电压范围	250 ~ 750 VDC
Output current 输出电流	< 12
Steady current accuracy 稳流精度	±0.5%
Output voltage error 输出电压误差	±0.5%
Efficiency 效率	≥94%
Total Harmonic Factor 总谐波因数	THD < 5%
Display method 显示方式	LED / LCD (optional / 可选配)
Noise 噪音	<60dB
Degree of protection 防护等级	IP32
Start method 启动方式	Button start, password start (optional), swipe card start (optional) 按键启动、密码启动(可选配)、刷卡启动(可选配)
Standby power consumption 待机功耗	<0.1% output rated power <0.1%输出额定功率
Ambient temperature 环境温度	-20°C ~ +50°C (derating over 50°C) -20°C ~ +50°C(超过50°C降额)
Air humidity 空气湿度	0~95%(non-condensing / 无冷凝)

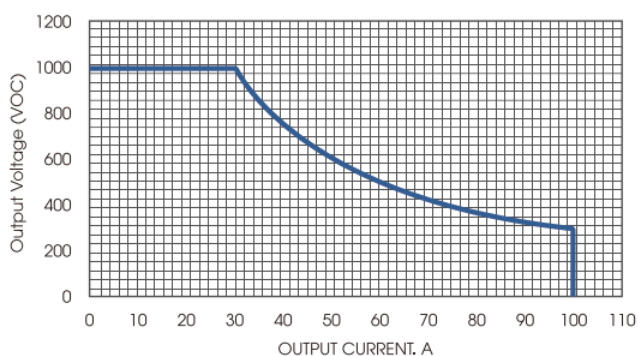
Protective function 保护功能	Protection functions such as input overvoltage and undervoltage, output overcurrent, short circuit, leakage, emergency stop, etc. 输入过欠压、输出过流、短路、漏电、紧急停止等保护功能
Weight 重量	20 Kg

APPEARANCE SPECIFICATION 外观规格

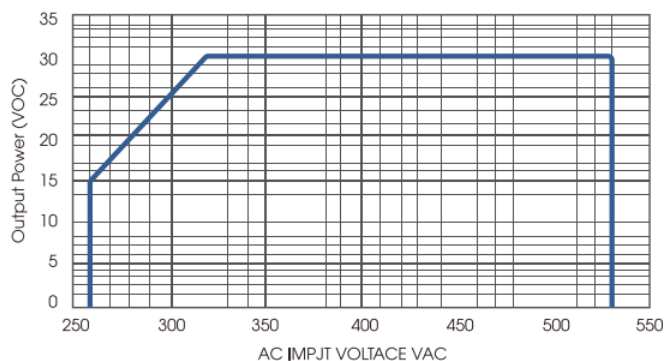
Dimension(L x W x H cm) 尺寸(长 x 宽 x 高 cm)	330 x 170 x 332 cm
---	--------------------

BATTERY CHARACTERISTICS 电池特性

Output Voltage VS Output Current



Input Voltage VS Output Power



AUTHENTICATION 认证

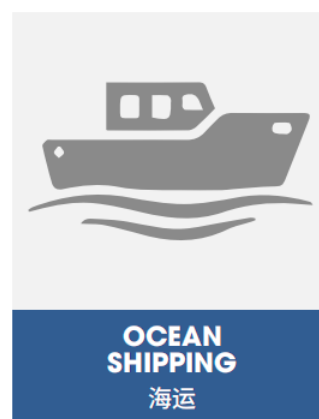
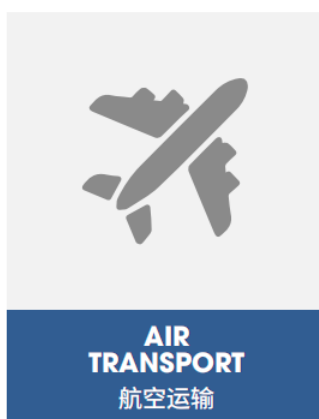
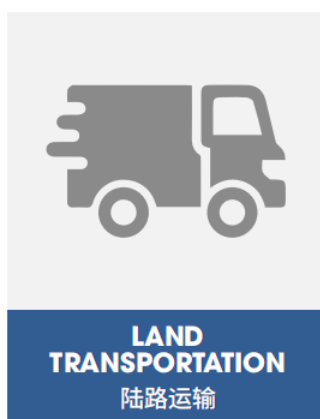
ISO 14001	ISO 9001	ROHS	UL	CE	FC

STORAGE 储存

- ◆ The portable DC charging pile should be stored at room temperature to avoid overheating or overcooling. The best storage temperature is 5°C~45°C.
便捷式直流充电桩应储存在室温下，避免过热或过冷环境，最佳储存温度为5°C~45°C。
- ◆ When storing, avoid damp, shock, pressure, etc., and store the charging pile in a good quality moisture-proof and shock-proof packaging box.
储存时应避免受潮、受震、受压等情况，可将充电桩放在防潮、防震的质量好的包装盒中存储。

- ◆ When storing, avoid the charging pile from being polluted by dust and corrosive substances, and avoid rusting of metal parts. Protective items such as cloth bags and dust covers can be used for protection.
储存时应避免充电桩受到灰尘、腐蚀物质污染,避免金属部件生锈,可使用布袋、防尘罩等防护物品保护。
- ◆ For portable DC charging piles that have not been used for a long time, their battery capacity and status should be checked regularly to ensure that they can work normally when in use.
长时间未使用的便捷式直流充电桩,应定期检查其电池容量和状态,确保在使用时能够正常工作。
- ◆ When not in use for a long time, unplug the power cord to avoid damage caused by power on for a long time.
长时间不使用时,应拔掉电源线,避免长时间通电导致损坏。
- ◆ The charging pile should be kept stable during storage, and placed properly in a place where there is no danger, no magnetic field, and no radioactive sources, so as to avoid strong magnetic fields, strong electric fields or harmful substances affecting the performance of the charging pile.
储存时应保持充电桩稳定,妥善放置在无危险、无磁场、无放射源的地方,避免强磁场、强电场或有害物质影响充电桩的性能。

TRANSPORT 运输



CONTACT INFORMATION 联系方式

◆ **From: ESS COLLEGE**
公司:ESSC

◆ **Tel: +86-18512006111**
电话: +86-18512006111

◆ **Add: ShangYan Road ,YuanZhou Ave.,YuanZhou Town,HuiZhou City,
GuangDong Province,P.R.C**

地址:广东省惠州市袁州镇袁州大道上燕路